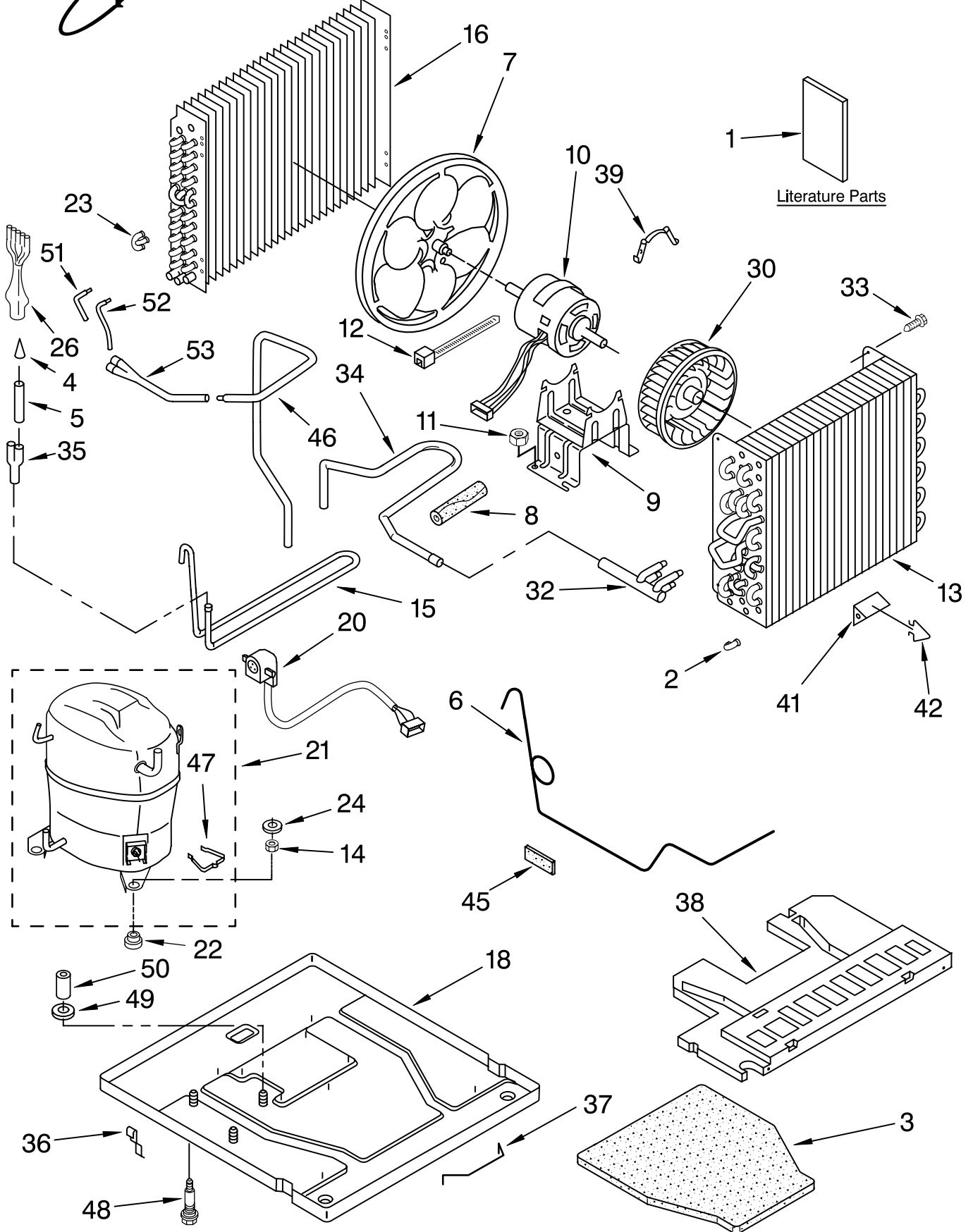




UNIT PARTS

For Model: ACQ304XS0

AIR CONDITIONER



FOR ORDERING INFORMATION REFER TO PARTS PRICE LIST

UNIT PARTS

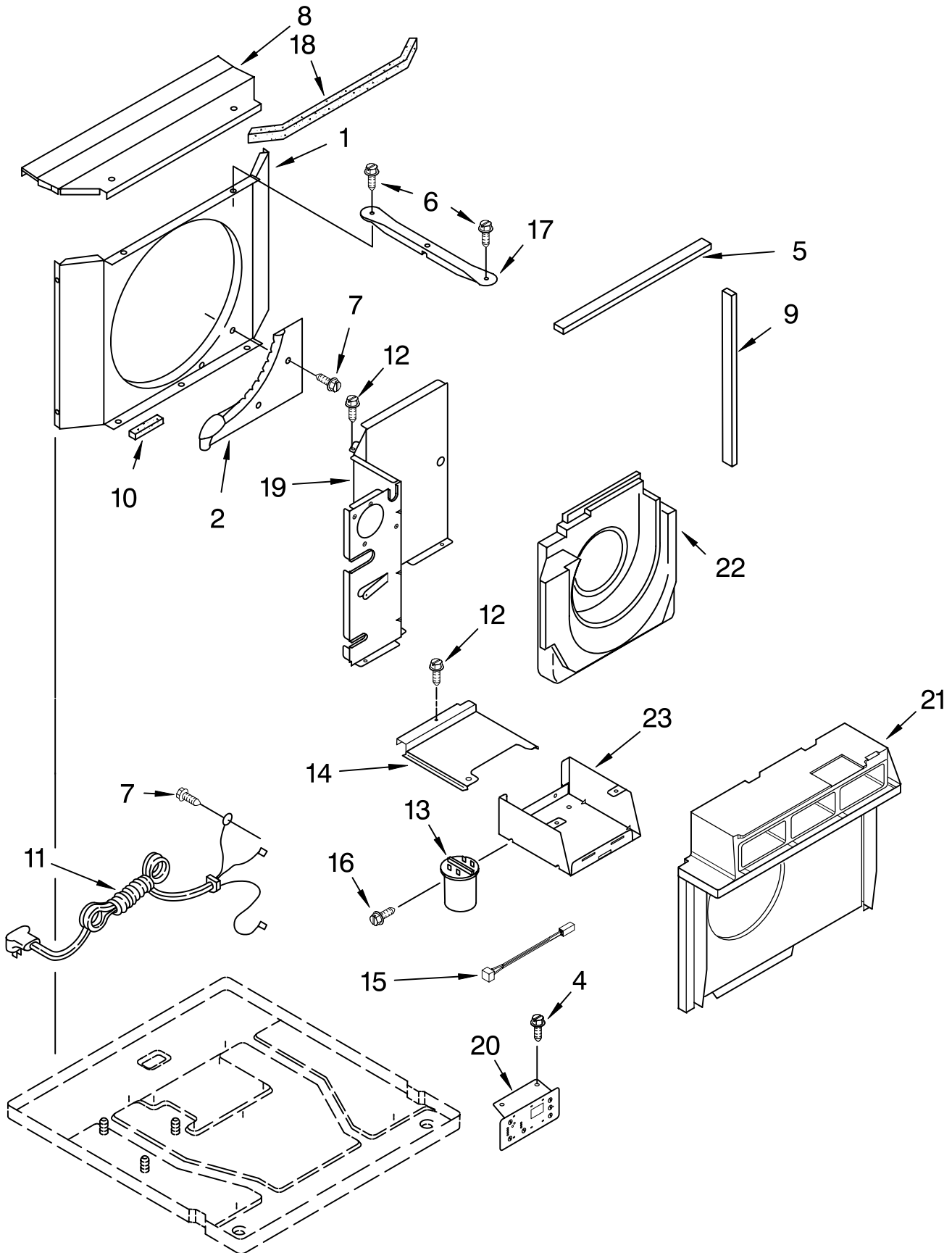
For Model: ACQ304XS0

Illus. No.	Part No.	DESCRIPTION	Illus. No.	Part No.	DESCRIPTION	Illus. No.	Part No.	DESCRIPTION
1		Literature Parts	15	1185519	Wet, Loop	38	1185843	Pan, Drain
	1188127	Use & Care Guide	16	1185738	Condenser	39	1157015	Clip, Motor (2)
	1188126	Wiring Diagram	18	1185846	Base	41	1185173	Anticipator
	1188642	Energy Guide	20	1186572	Harness, Wiring	42	475577	Clip, Anticipator
2	855199	Bend, Return			Compressor	45	1163759	Seal, Restrictor
3	1167085	Insulation, Base (Bottom)	21	1184620	Compressor			Tube
4	49599	Strainer, Tube	22	1165973	Grommet (3)	46	1164476	Tube, Discharge
5	1163768	Tube, Outlet (Includes Illus. 4)	23	1158685	Return Bend, 3-Way	47	1161083	Retainer, Cover
6	1186077	Tube, Restrictor (4)	24	3934662	Locknut (3)	48	1165674	Bolt, Compressor
7	1158665	Blade, Fan (Condenser)	26	1185986	Distributor (Bottom)	49	1160654	Spacer, Grommet
8	1186425	Seal, Suction Tube	30	1185543	Wheel, Blower (Evaporator)	50	1160655	Sleeve, Mounting
9	1160672	Bracket, Fan Motor	32	1186089	Manifold, Suction	51	1186185	Tube, Feeder
10	1188487	Motor, Fan	33	488480	Screw, 8-15 x .500	52	1186184	Tube, Feeder
11	488130	Nut	34	1186426	Tube, Suction	53	1186090	Tube, Discharge
12	1159130	Tie, Cable	35	947364	Tube, Flow Divider			Top Assembly (Includes 51 & 52)
13	1185744	Evaporator	36	471088	Clamp (2)	REFRIGERANT CHARGE		
14	1160880	Washer	37	647971	Handle, Base	56.00 oz.		

FOR ORDERING INFORMATION REFER TO PARTS PRICE LIST

AIRFLOW AND CONTROL PARTS

For Model: ACQ304XS0



FOR ORDERING INFORMATION REFER TO PARTS PRICE LIST

AIRFLOW AND CONTROL PARTS

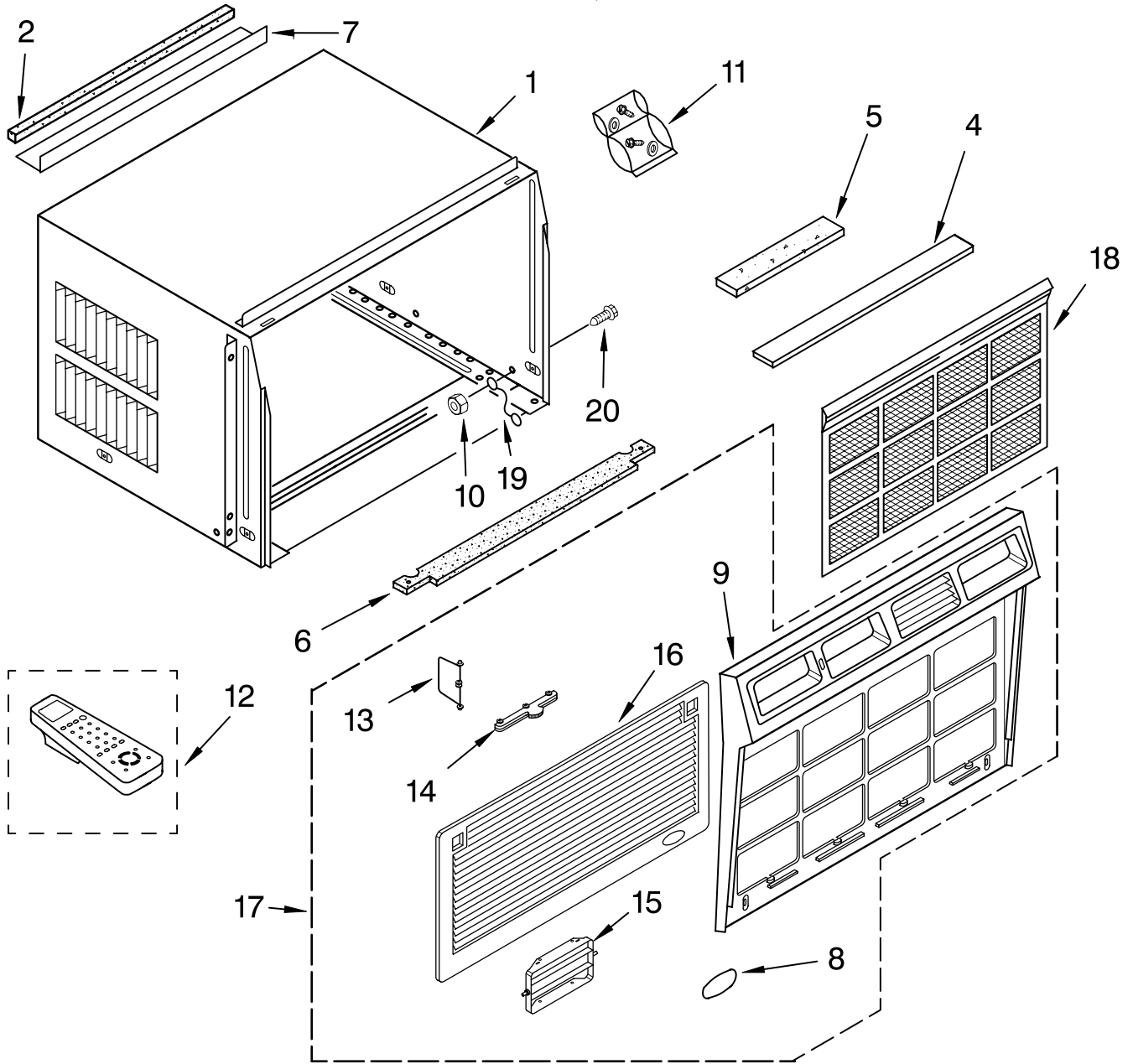
For Model: ACQ304XS0

Illus. No.	Part No.	DESCRIPTION
1	1157403	Shroud, Condenser
2	1160684	Cup, Condensate
4	1159222	Screw (2)
5	1185513	Seal (Top)
6	488720	Screw #10 x 1/2
7	488480	Screw #8-1/2
8	1157407	Top, Condenser
9	1185911	Seal (Side)
10	1163332	Seal, Cup
11	1187856	Cord, Appliance
12	488624	Screw, 8-15 x .375
13	1186507	Capacitor
14	1186664	Cover, Control Box
15	1188387	Thermistor
16	1157158	Screw, 8-18 x .375
17	1166169	Support, Unit (2)
18	1158732	Seal, Shroud
19	1185505	Dividing Wall
20	1187928	Control, Electronic
21	1187338	Shroud Assembly, Evaporator
22	1187340	Housing, Air
23	1187820	Control Box

FOR ORDERING INFORMATION REFER TO PARTS PRICE LIST

CABINET PARTS

For Model: ACQ304XS0



Illus. No.	Part No.	DESCRIPTION
1	1185518	Cabinet
2	469877	Gasket, Meeting Rail
4	1187359	Seal, Front (Large)
5	1181735	Seal, Front (Small)
6	1160768	Seal
7	1168490	Angle, Top Mounting

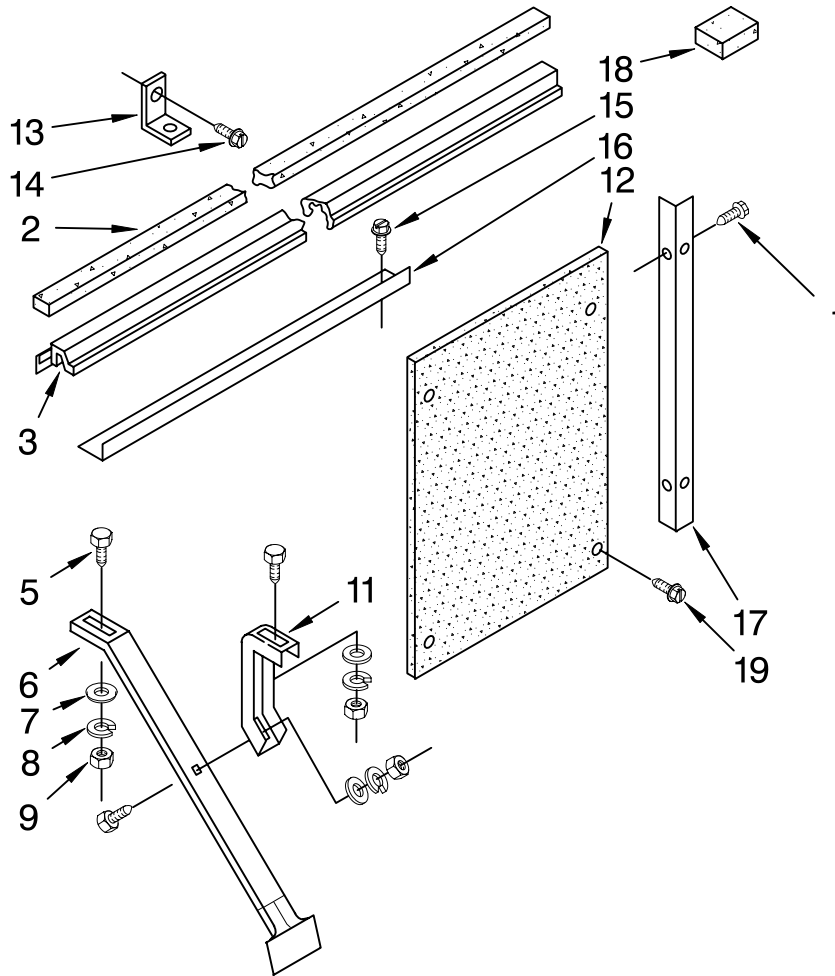
Illus. No.	Part No.	DESCRIPTION
8	1187171	Nameplate
9	1188275	Frame, Front
10	486529	Nut, Hex 8-32
11	1186155	Bag, Accessory
12	1186156	Control, Remote
13	1185541	Louver, Verticle

Illus. No.	Part No.	DESCRIPTION
14	8011106	Link, Verticle Louver (2)
15	1185540	Cartridge
16	1187336	Door, Filter
17	1188276	Front, Complete
18	1185523	Filter
19	1186627	Wire, Ground
20	488234	Screw, 8-32 x 1/4

FOR ORDERING INFORMATION REFER TO PARTS PRICE LIST

INSTALLATION PARTS

For Model: ACQ304XS0



Illus. No.	Part No.	DESCRIPTION
1	1159222	Screw (4)
2	469877	Seal, Meeting Rail
3	1166388	Gasket, Sash
5	488750	Bolt, 1/4 x 3/4 (6)
6	1185549	Support, Cabinet (2)
7	488808	Washer (6)

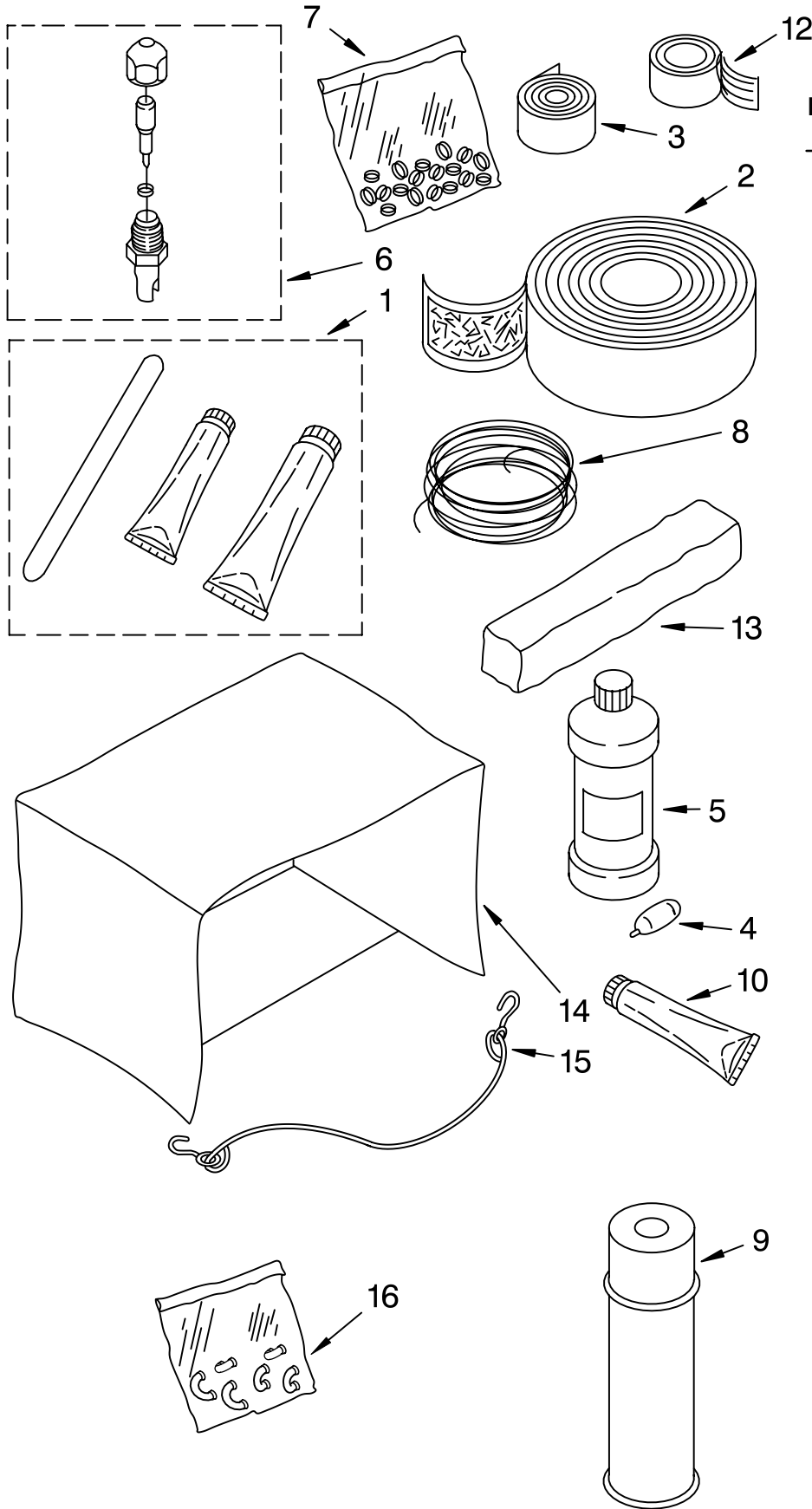
Illus. No.	Part No.	DESCRIPTION
8	486009	Lockwasher (6)
9	486035	Nut, Hex (6)
11	1168474	Support, Retainer (2)
12	1168473	Board, Filler
13	644228	Bracket

Illus. No.	Part No.	DESCRIPTION
14	487371	Screw (Window Lock Bracket)
15	1157158	Screw (Top Angles to Cabinet)
16	1168490	Angle (Top)
17	1168472	Angle (2)
18	995274	Spacer, Block (4)
19	1166265	Screw (Side Angle to Filler Board)

FOR ORDERING INFORMATION REFER TO PARTS PRICE LIST

OPTIONAL PARTS (NOT INCLUDED)

For Model: ACQ304XS0



Illus. No.	Part No.	DESCRIPTION
1	799833	Epoxy, Tube (Aluminum Repair)
2	505168	Tape, No Drip 30'
3	479502	Tape, Vinyl 36'
4	10943	Oil, Turbine 1 Oz.
5	99243	Oil, Turbine 8 Oz.
6		Valve, Access
	876764	3/16" Tube O.D.
	978025	1/4" Tube O.D.
	978026	5/16" Tube O.D.
	978027	3/8" Tube O.D.
	978028	1/2" Tube O.D.
	978029	5/8" Tube O.D.
	978030	3/4" Tube O.D.
7	978865BULK	Seal, Ring Access Valve (20-Pack)
8		Wire, 25' Roll
	242820	Black 14 Ga.
	242825	Red 14 Ga.
	47261	Black 12 Ga.
	299885	Red 12 Ga.
	47263	White 12 Ga.
9	813684	Adhesive, Insulation (24 Oz. Spray)
10	279368	Adhesive, Insulation (2 Oz. Tube)
12	212643	Sealer, Permagem 4-1" Strips
13	99344	Sealer, Permagem 1 Lb. Bar
14		Cover, Winter
	484066	28"x19"x31"
	484067	19"x12"x14"
	484069	27"x19"x6 to 27"
	484184	22"x15"x3 to 18"
15	813610	Retainer, Cord (Winter Cover)
16		Return Bend Replacement Kit
	4388784	(5/16 Inch Tube)
	4388785	(3/8 Inch Tube)

FOR ORDERING INFORMATION REFER TO PARTS PRICE LIST